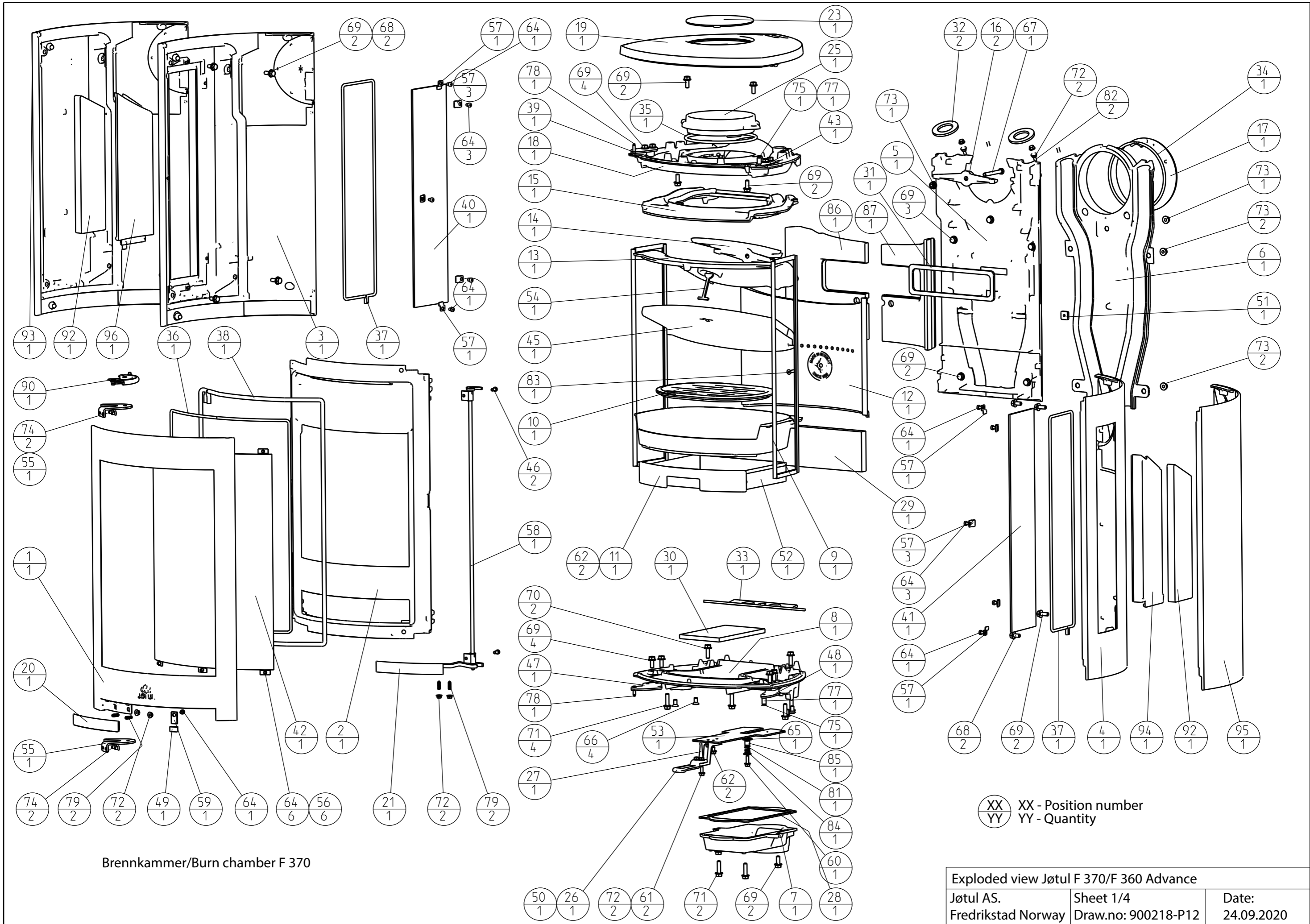


Exploded view Jøtul F 370/F 360 Advance

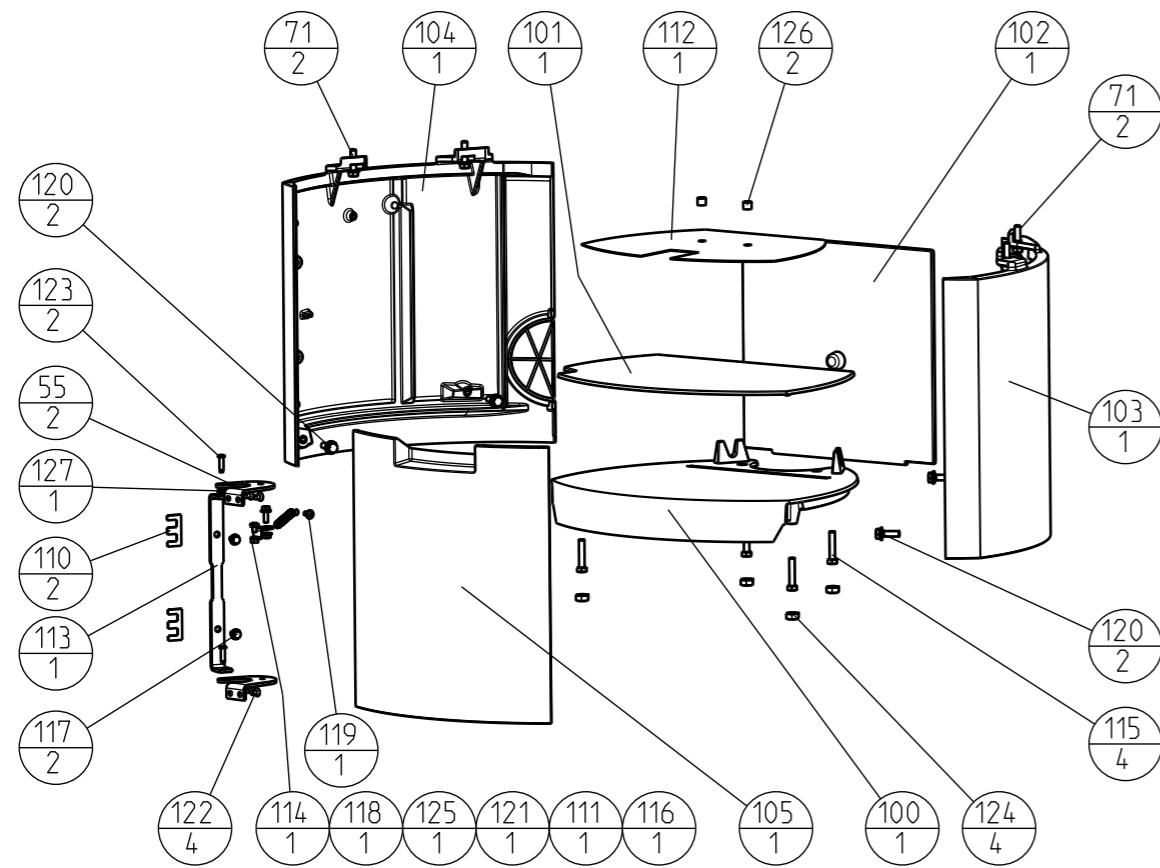


Brennkammer/Burn chamber F 370

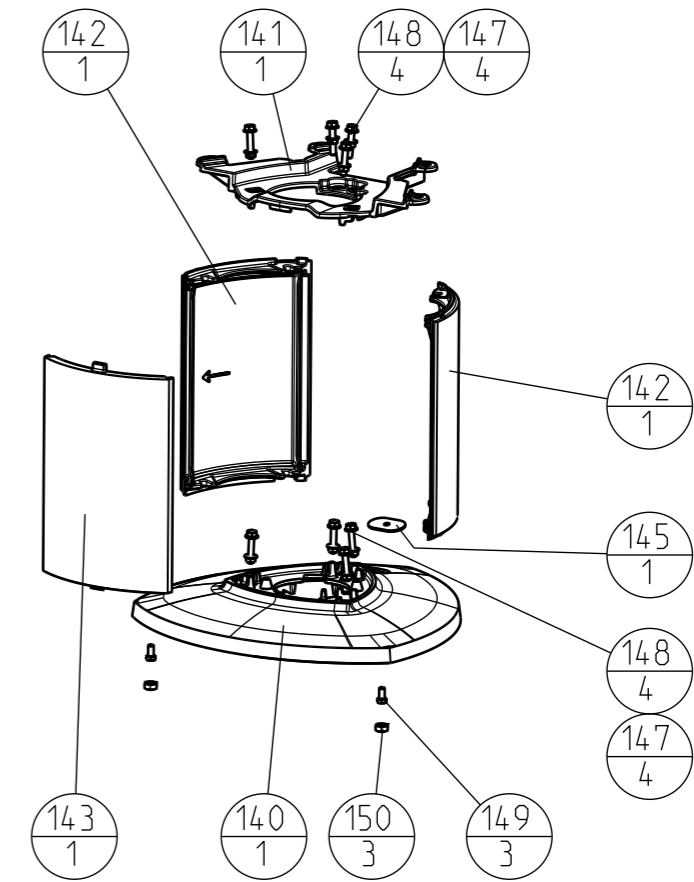
XX XX - Position number
YY YY - Quantity

Exploded view Jøtul F 370/F 360 Advance		
Jøtul AS. Fredrikstad Norway	Sheet 1/4 Draw.no: 900218-P12	Date: 24.09.2020

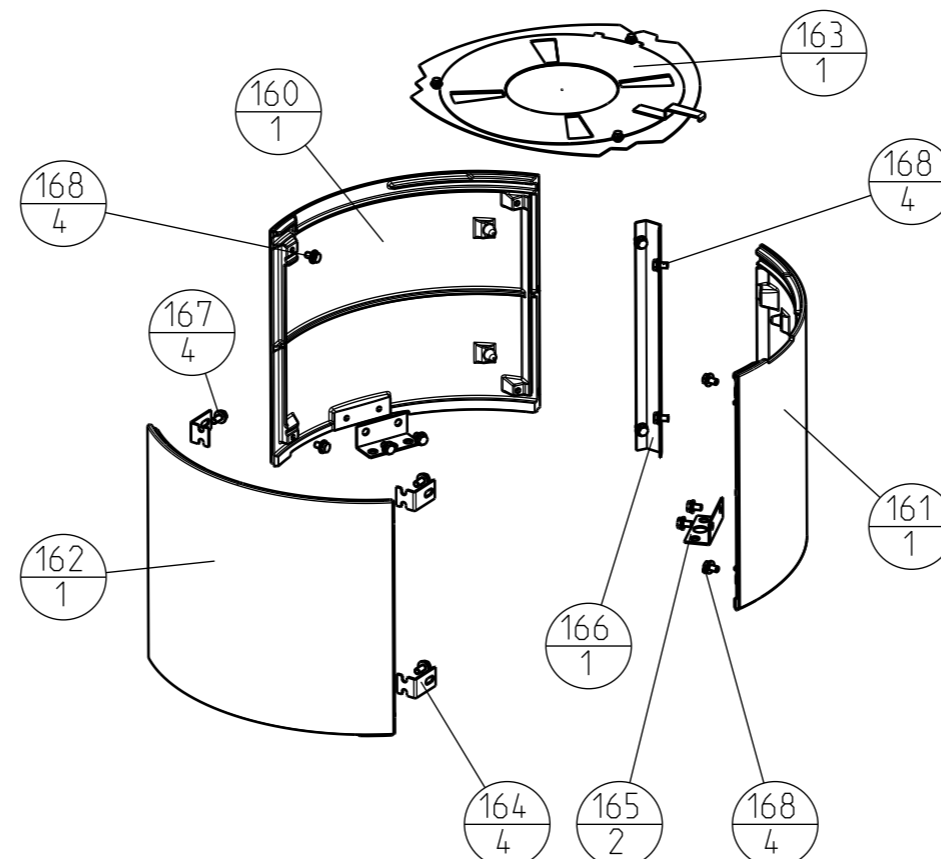
Sokkel/Base for: F 371 / F 377 / F 378



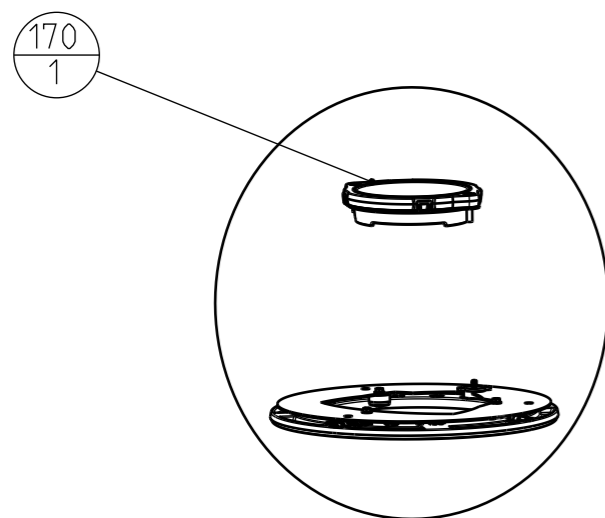
Søyle/Pedestal for: F 373



High Top for: F 371 / F 377 / F 378



Dreiesett/Revolving pedestal for F 373



XX	XX - Position number
YY	YY - Quantity

Exploded view Jøtul F 370/F 360 Advance

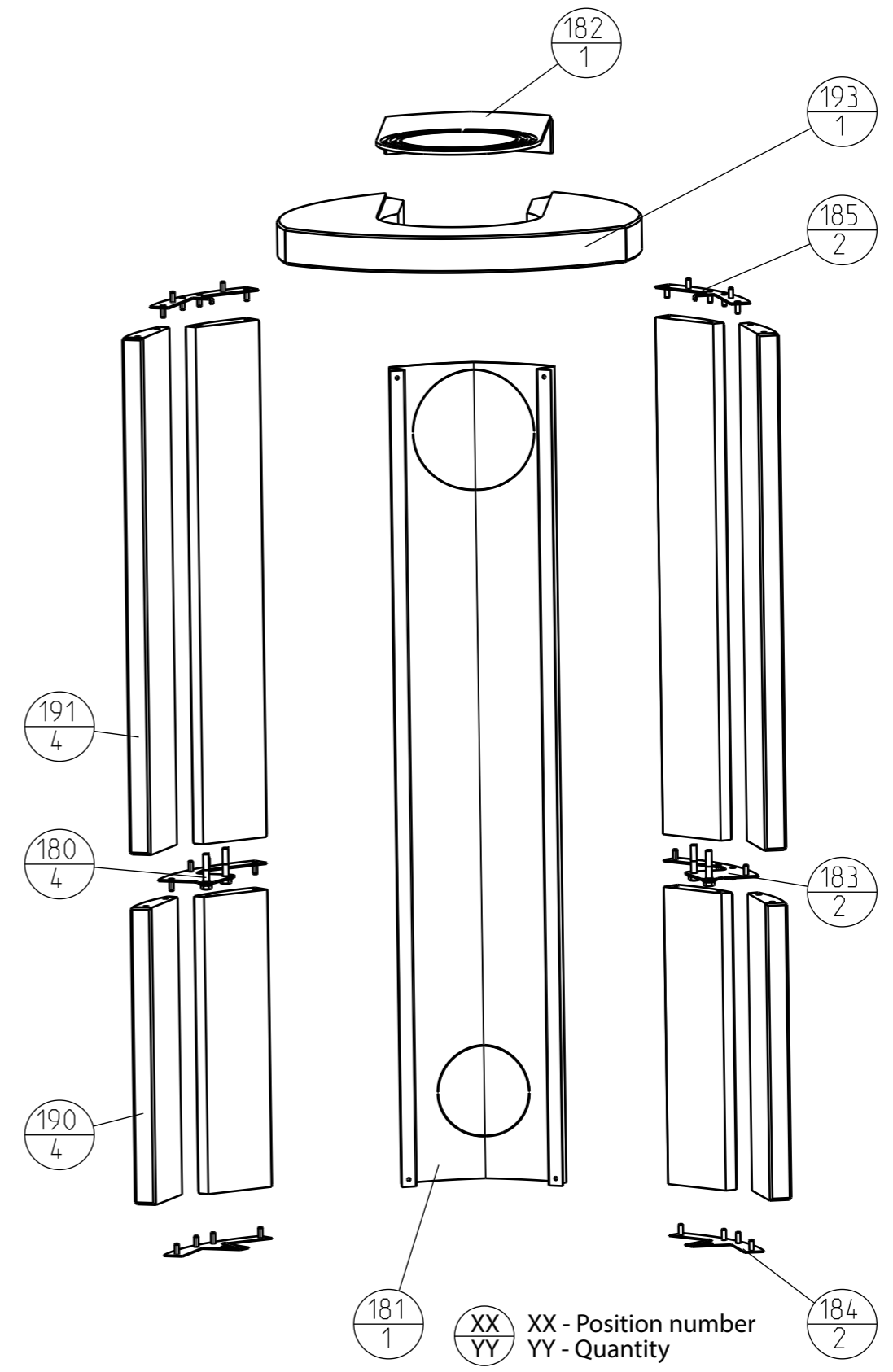
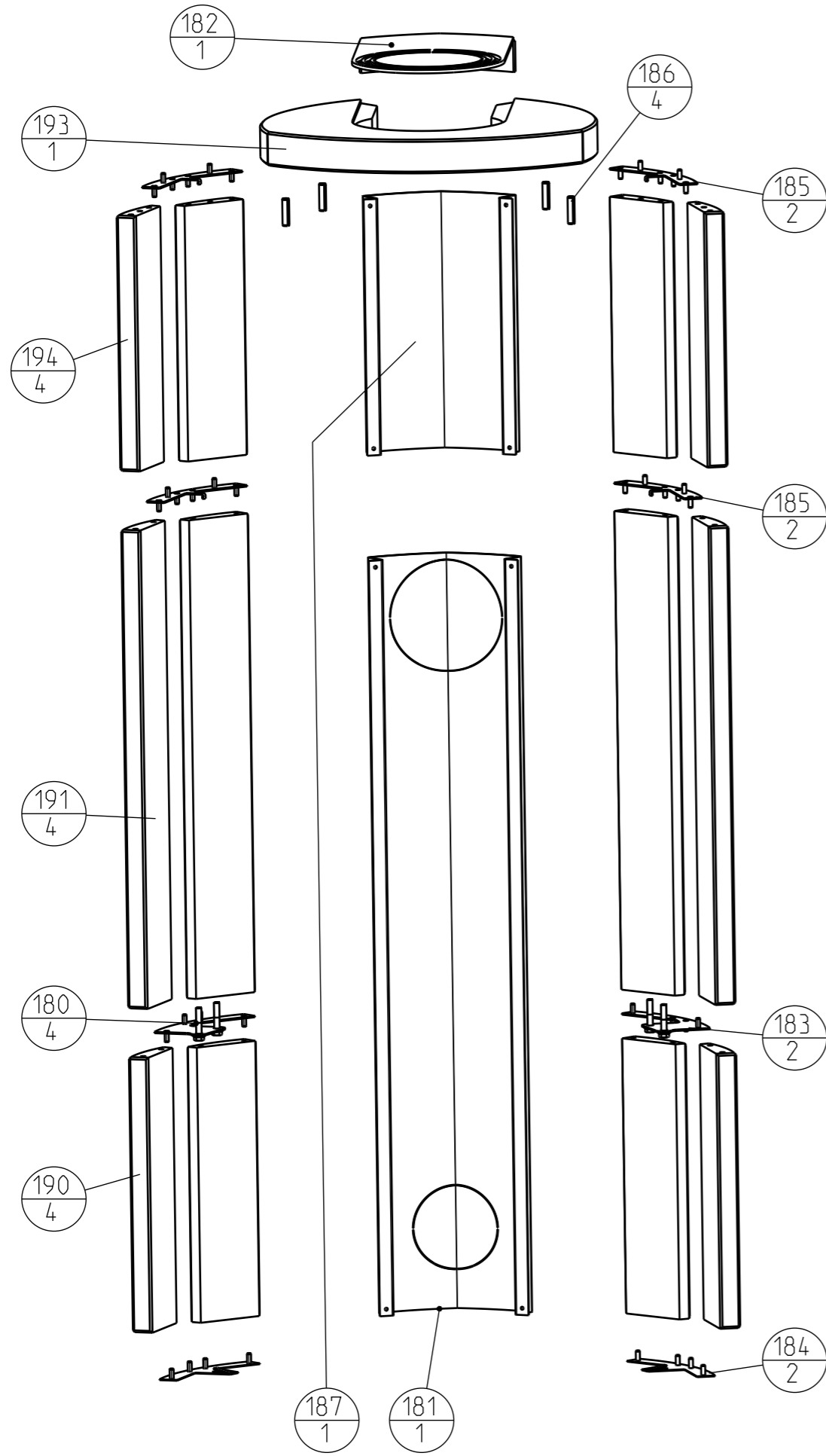
Jøtul AS.
Fredrikstad Norway

Sheet 2/4
Draw.no: 900218-P12

Date:
24.09.2020

Kleber/Soapstone F 370 Advance High Top

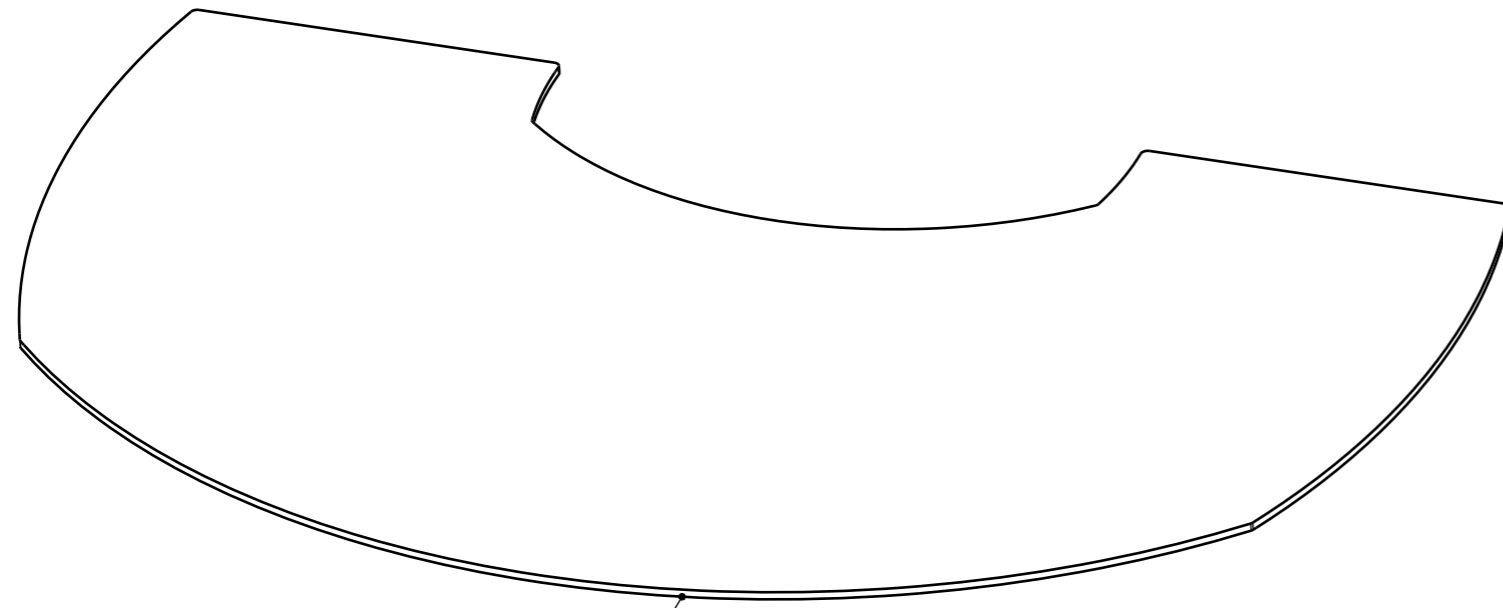
Kleber/Soapstone F 370 Advance



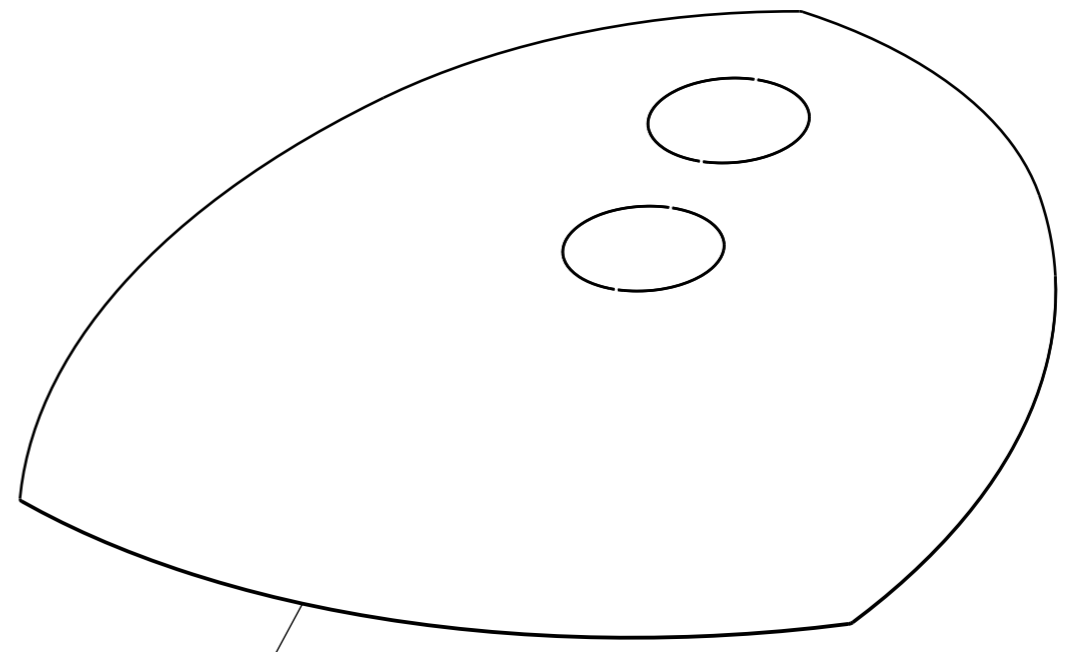
181
1
XX
YY
XX - Position number
YY - Quantity
184
2

Exploded view Jøtul F 370/F 360 Advance		
Jøtul AS. Fredrikstad Norway	Sheet 3/4 Draw.no: 900218-P12	Date: 24.09.2020

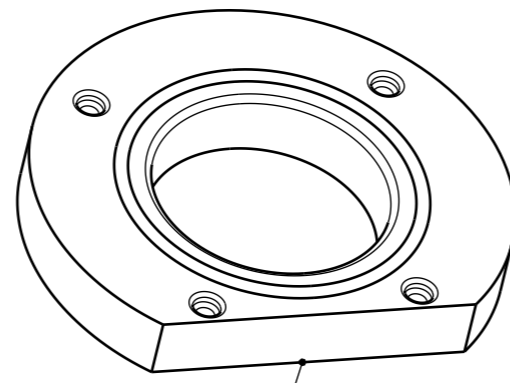
F 370 Advance Tilleggsutstyr/Optional equipment



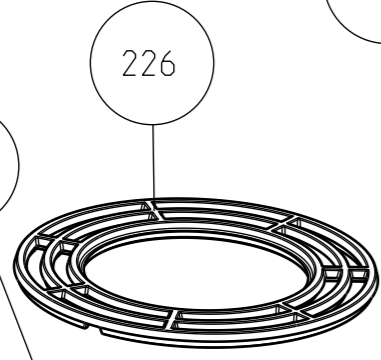
220



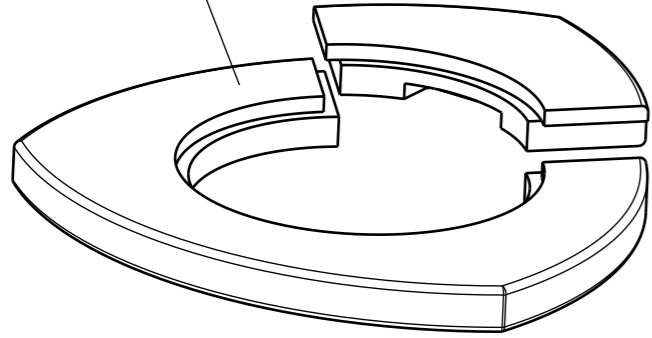
222



225



226



227



57



64

XX XX - Position number
YY YY - Quantity

Exploded view Jøtul F 370/F 360 Advance		
Jøtul AS. Fredrikstad Norway	Sheet 4/4 Draw.no: 900218-P12	Date: 24.09.2020